

# SKYFRAMES

## SKYFRAMES

Sales Office:  
4F Fortune Building  
144 Pasig Blvd. Pasig City  
Tel. No.: 7477617 • 6712237

CONCEALED CEILING FRAMING • DRYWALL FRAMING



## Strength & Stability Quick & Easy Assembly

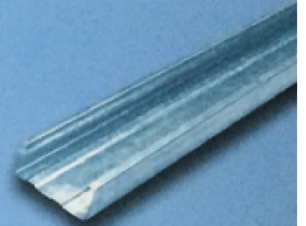
Steel plays a major role in the building and construction industry because of its durability and reliability.

These qualities make light metal frame a top choice for drywall and ceiling framing for residential and commercial application.

**SKYFRAMES** are carefully engineered metal framing system designed for stability, fast and easy installation.

**SKYFRAMES**, your handy framing solution!

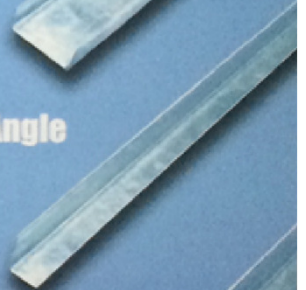
Double Furring Channel



Carrying Channel



Wall Angle



Drywall Tracks



Drywall Studs



# Concealed Ceiling Framing

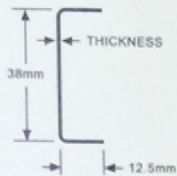
**SKYFRAMES**

## Double Furring Channel



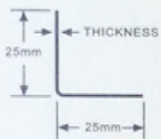
- LENGTH  5.00m  
 THICKNESS  0.4mm  
 0.6mm

## Carrying Channel

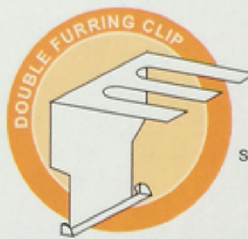
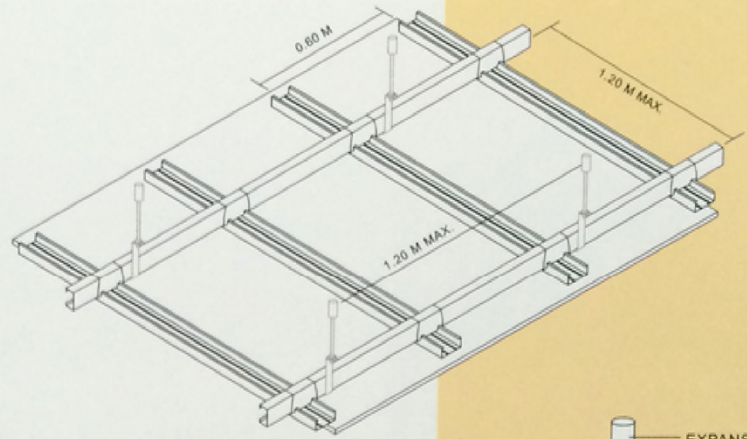


- LENGTH  5.00m  
 THICKNESS  0.8mm  
 1.0mm

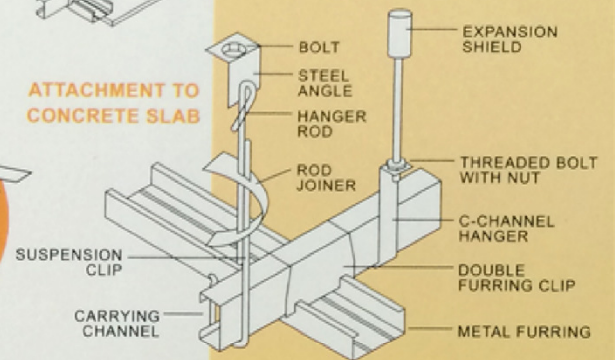
## Wall Angle



- LENGTH  2.44m  
 3.00m  
 THICKNESS  0.4mm  
 0.6mm



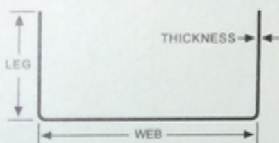
### ATTACHMENT TO CONCRETE SLAB



# Drywall Framing

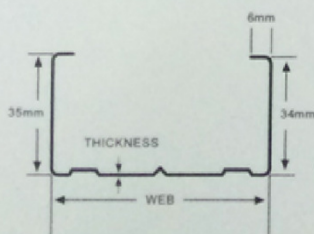
**SKYFRAMES**

## Drywall Tracks

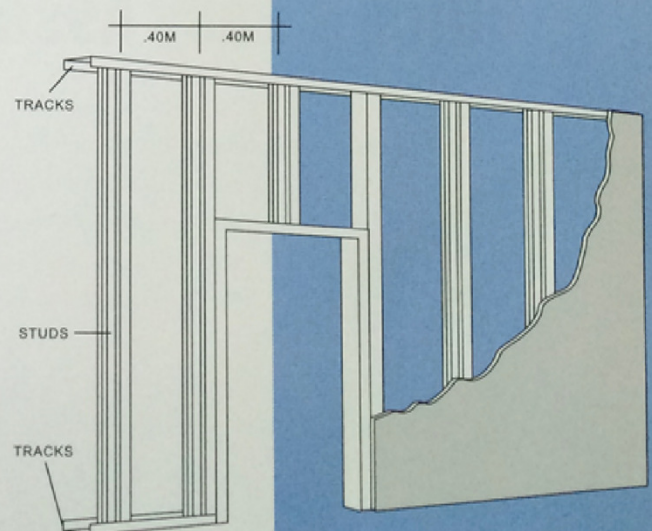


- LEG  32mm  51mm  
 WEB  64mm  76mm  
 LENGTH  2.44m  3.00m  
 THICKNESS  0.5mm  0.6mm  
 0.8mm

## Drywall Studs



- WEB  51mm  64mm  
 76mm  102mm  
 LENGTH  2.44m  3.00m  
 THICKNESS  0.5mm  0.6mm  
 0.8mm



**RECOMMENDED SPACING** MAX: STUDS SPACED AT .60 M O.C.  
 MIN: STUDS SPACED AT .40 M O.C.