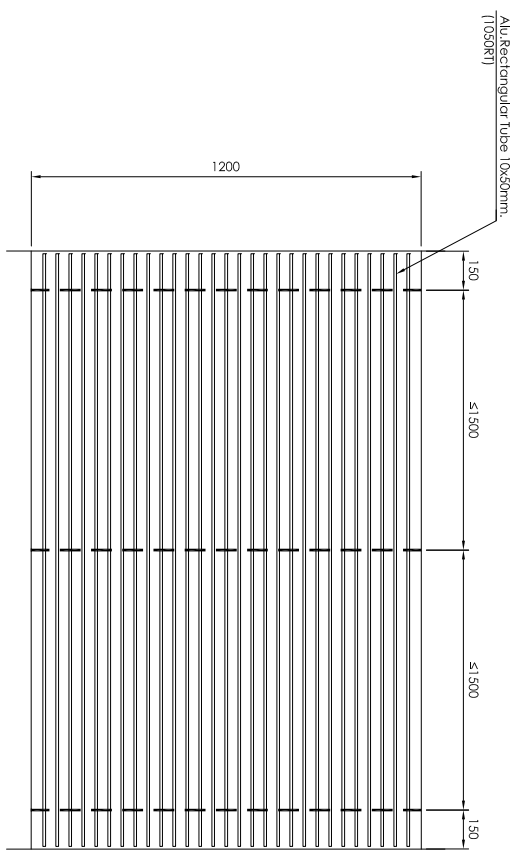
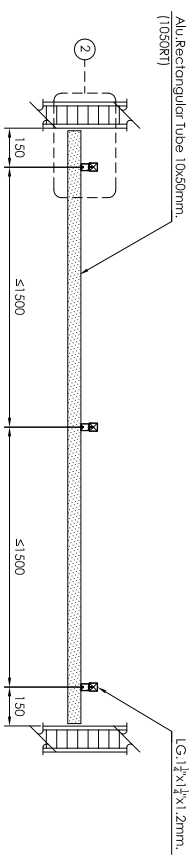


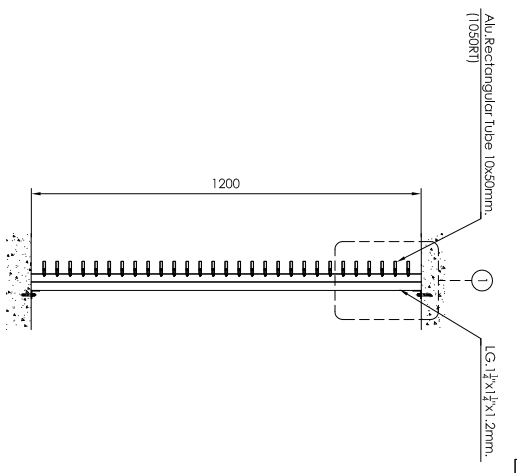
REVISION	DESCRIPTION	DATE	CHECKED
Δ			



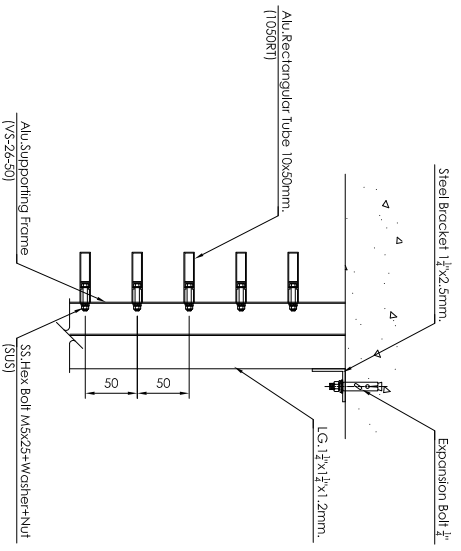
ELEVATION
SCALE 1:20



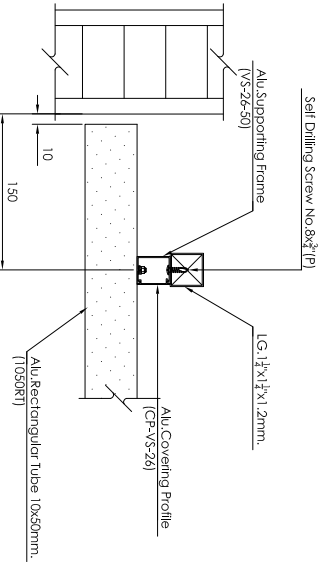
SECTION B
SCALE 1:20



SECTION A
SCALE 1:20



DETAIL 1
SCALE 1:5



DETAIL 2
SCALE 1:5

ForGize ARCHITECTURAL PRODUCTS WARNING: ALL DESIGN AND DRAWING MATERIALS ARE THE PROPERTY OF FORGIZE AND CANNOT BE USED WITHOUT THEIR PERMISSION.	PROJECT:	STANDARD DRAWING	REFERENCE:	CHECKED BY:	DRAWN BY:	DWG. NO.
	TITLE:	ALU RECTANGULAR TUBE 10x50RT	DR No. :	APPROVED BY (PM):	ISSUE : 0	00 / SH-00
	Revision: 0		Revision: 0		SCALE :	DATE : 00/00/0000
					SCALE :	REVISION 0
						TOTAL 0