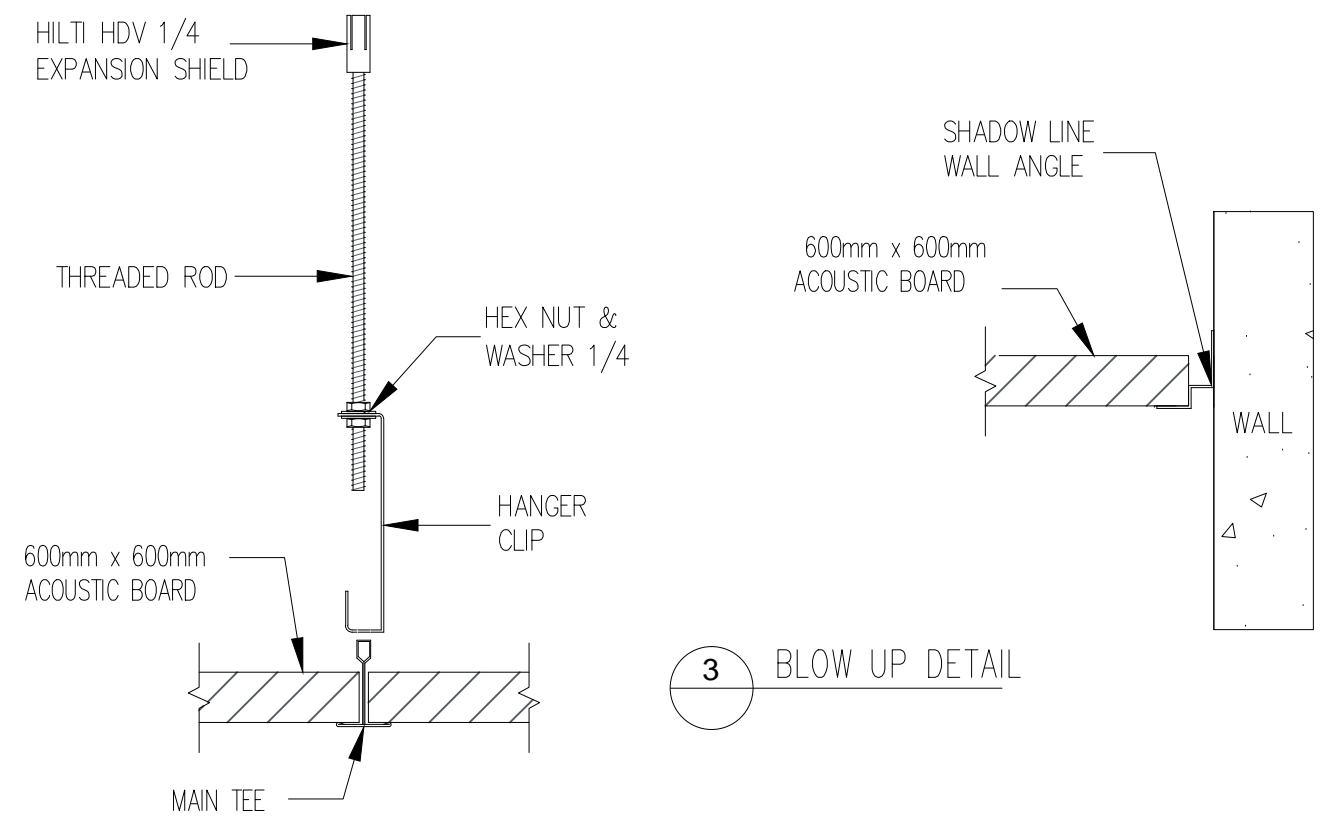
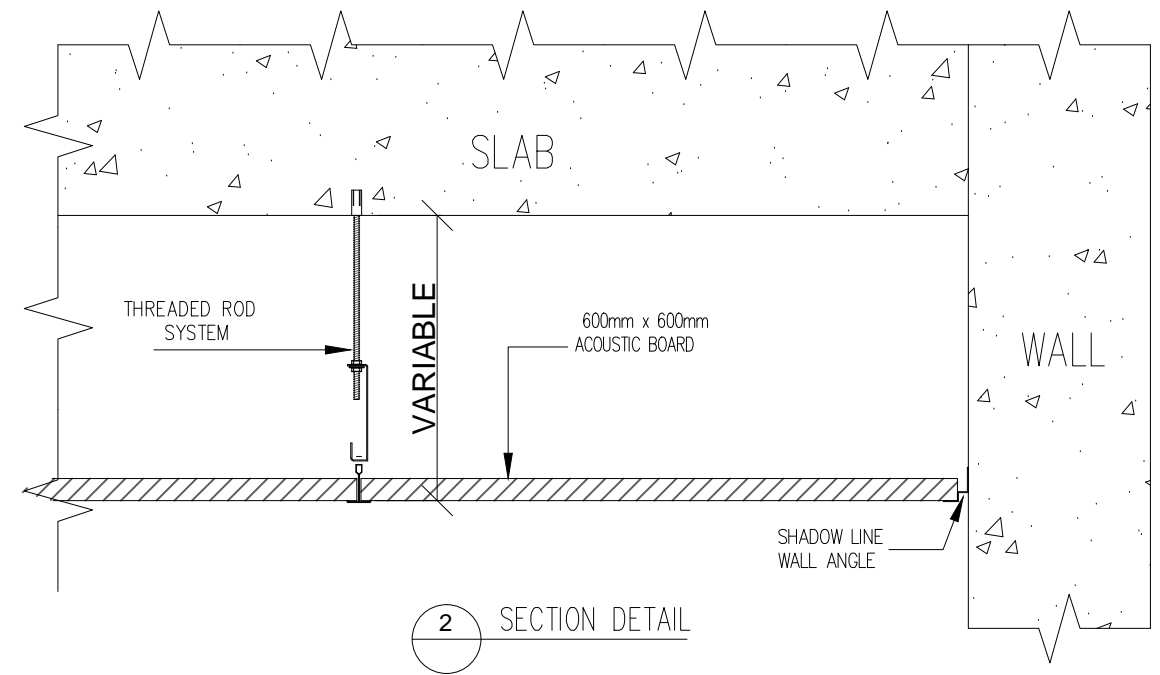


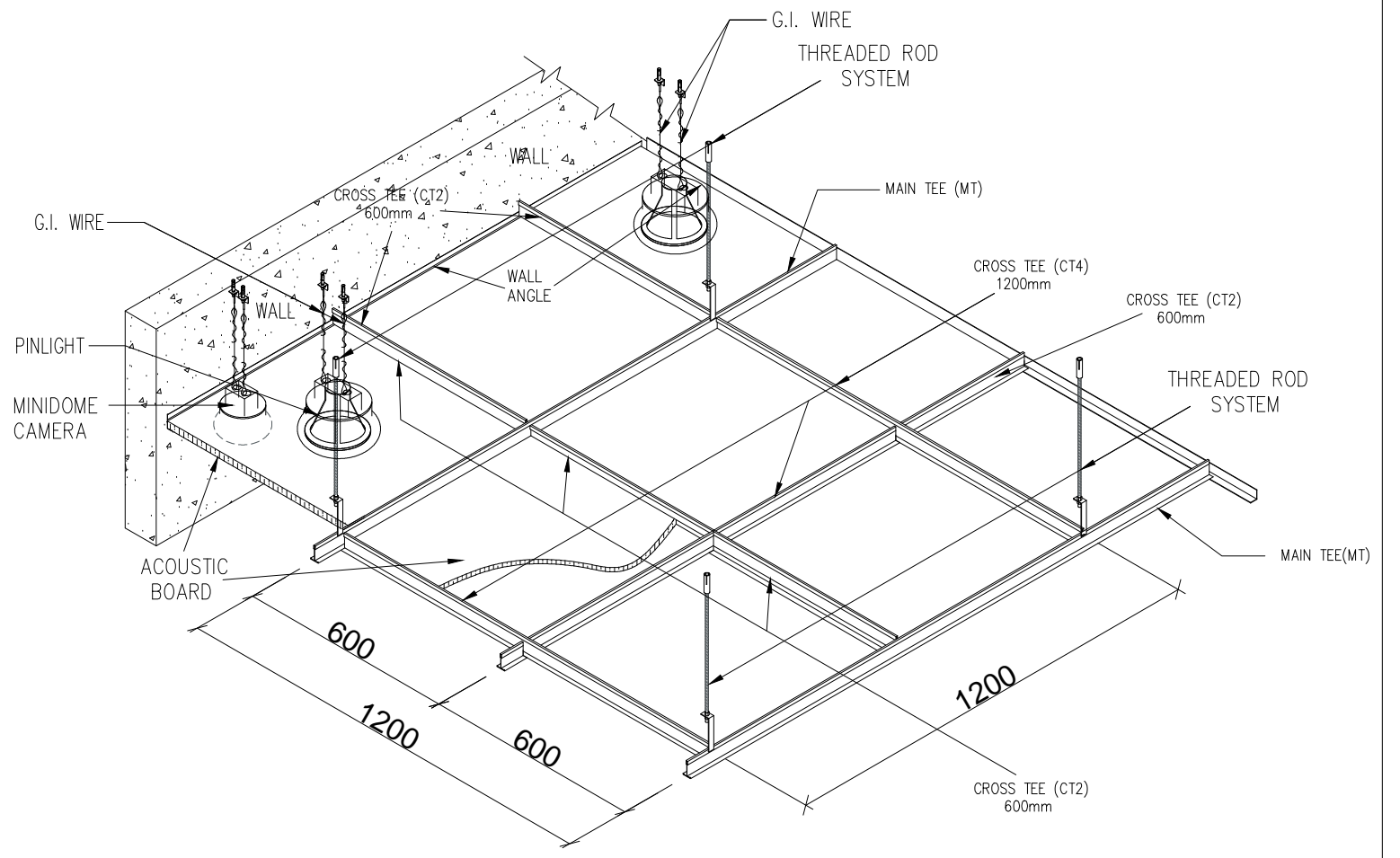
1 CEILING PLAN



3 BLOW UP DETAIL



2 SECTION DETAIL



4 ACOUSTIC BOARD LAYOUT ISOMETRIC VIEW

CONTRACTOR:
SKYCON
 SKYDRAGON CONSTRUCTION PRODUCTS, INC.
 4TH FLR FORTUNE BLDG., PASIG BLVD., PASIG CITY
 TELEPHONE: 661-3276/77
 EMAIL: customerservice@skycon.ph

CLIENT:
 LOCATION:

No	DATE	REVISIONS	DRN	CHK'D	APP	INITIALS	SIGN	DATE
0								

FOR APPROVAL: JGB MAB
 PROJECT APPROVED

PROJECT:	SHEET NO.:
DRAWING TITLE:	A-01
CEILING LAYOUT	
SIZE DWG No.:	REV.:
	0